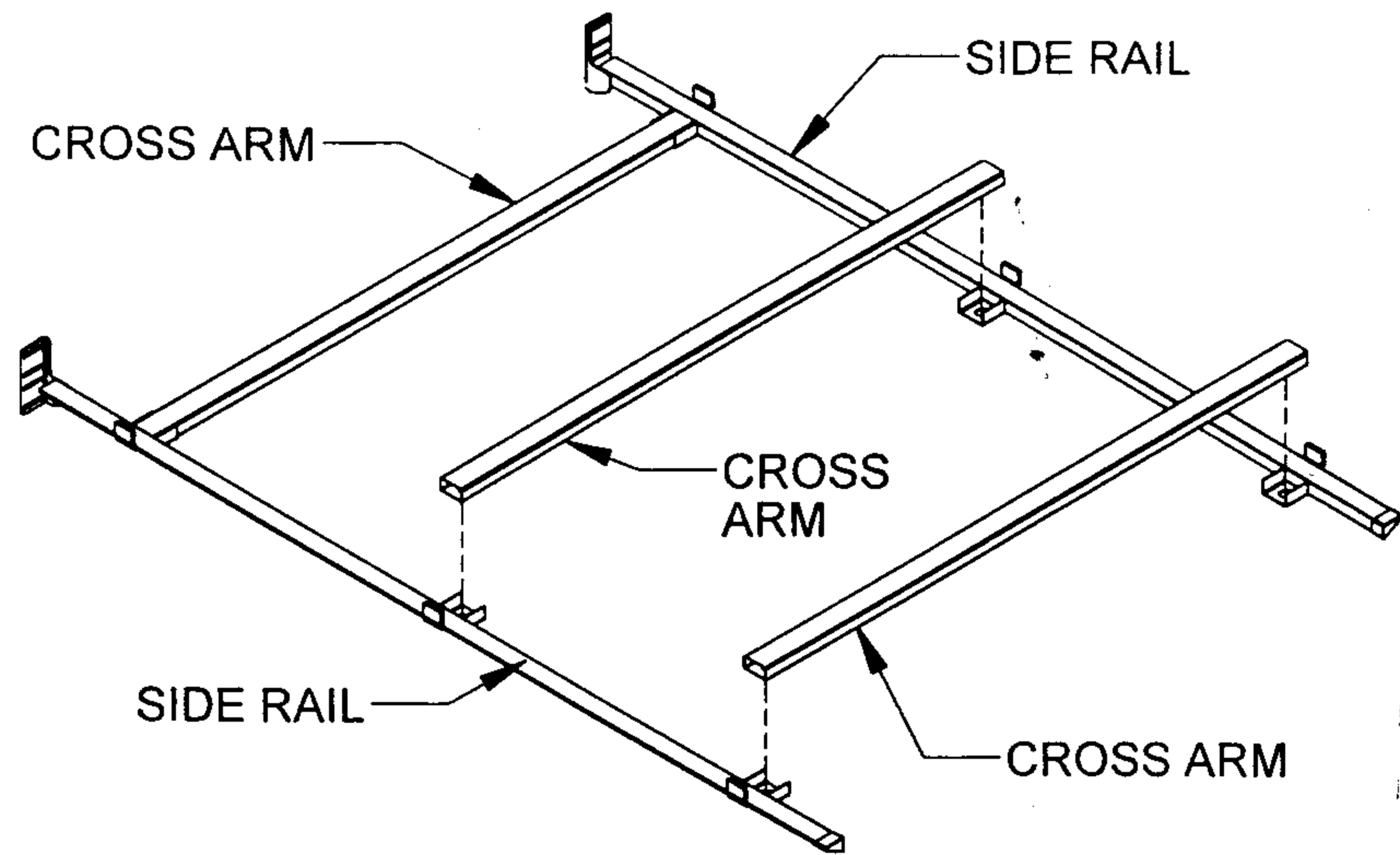


# THE EDGE BED FRAME ASSEMBLY INSTRUCTIONS

Figure 1



**Step 1** Slide CROSS ARMS in place between SIDE RAILS as shown in Figure 1. *Note: Threaded holes should be underneath.*

**Step 2** Screw LEGS into threaded holes of each CROSS ARM and tighten securely by hand. Tap ROLLERS into each LEG. See Figure 2. *Note: LOCKING ROLLERS should be positioned at each corner of the bed frame as shown in Figure 3.*

Figure 2

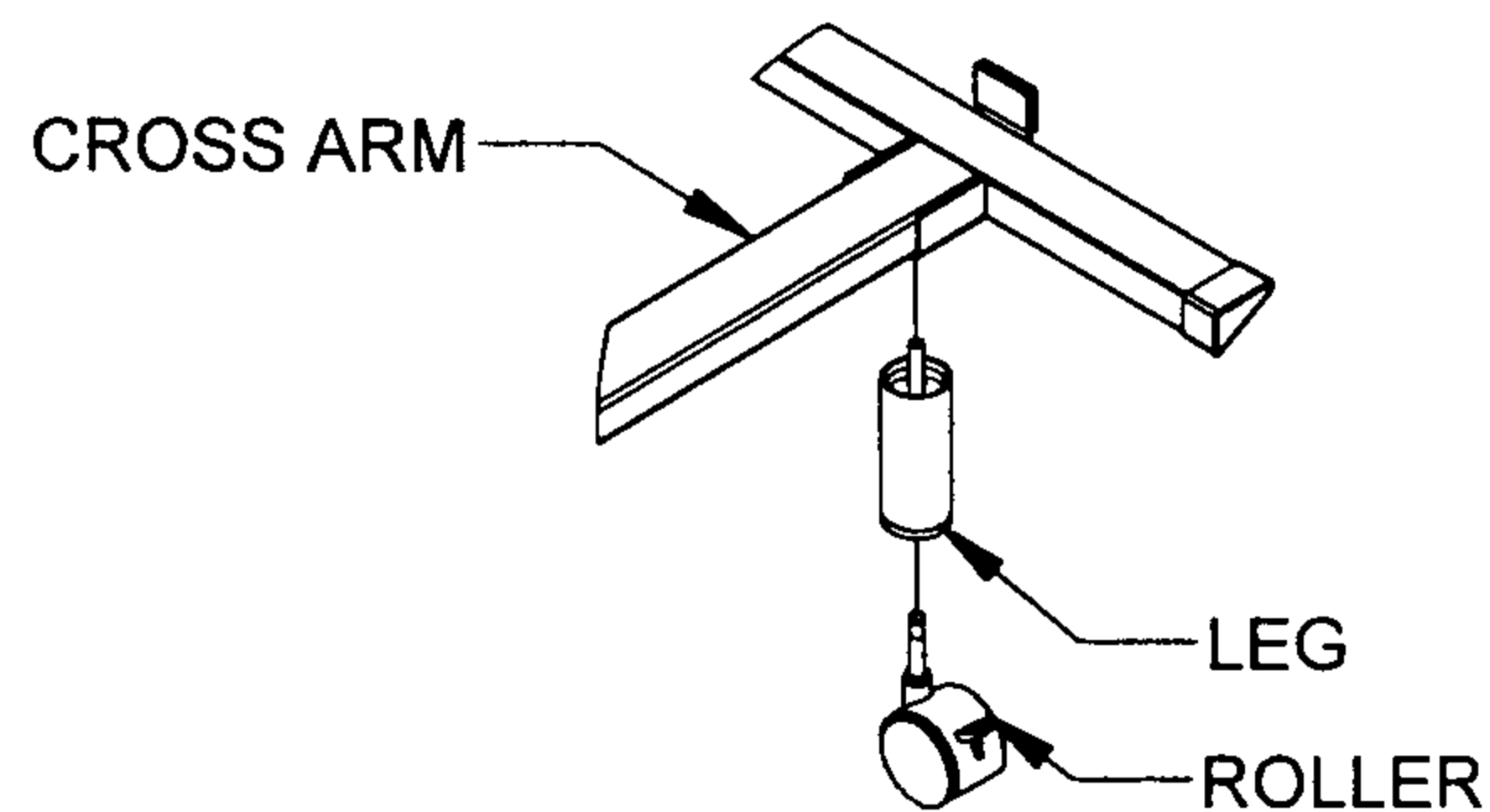


Figure 3

