

PRODUCT: P56 QUEEN/KING PRESTIGE FRAME

GENERAL

APPLICATION: QUEEN, CAL KING, KING

FINISH: BLACK

MOBILITIES (LEG ATTACHMENTS): (9) GLIDES

PACKAGED WEIGHT: 40 LBS.

UPC CODE: 094325204267

CONSTRUCTION

SIDE RAIL: 1 5/8 X 1 X .045 WALL TRIANGULAR TUBE

CROSS ARMS: 1.0 X 2.0 X .045 WALL RECTANGULAR TUBE

TYPE: ADJUSTABLE

CROSS WIRE/SUPPORT: .88 X 1.86 X .045 WALL RECTANGULAR TUBE


CENTER SUPPORT: N/A

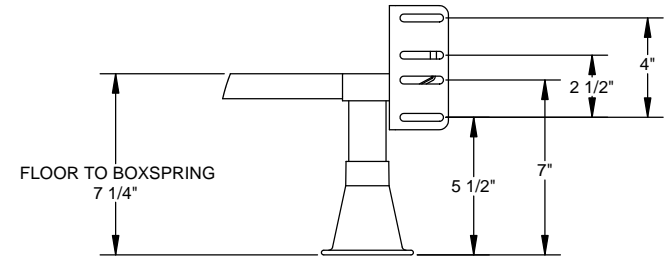
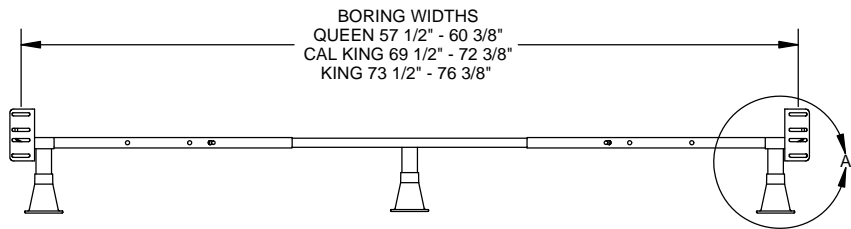
RETAINER BRACKETS: N/A

HEADBOARD/FOOTBOARD BRACKETS: BOLT ON

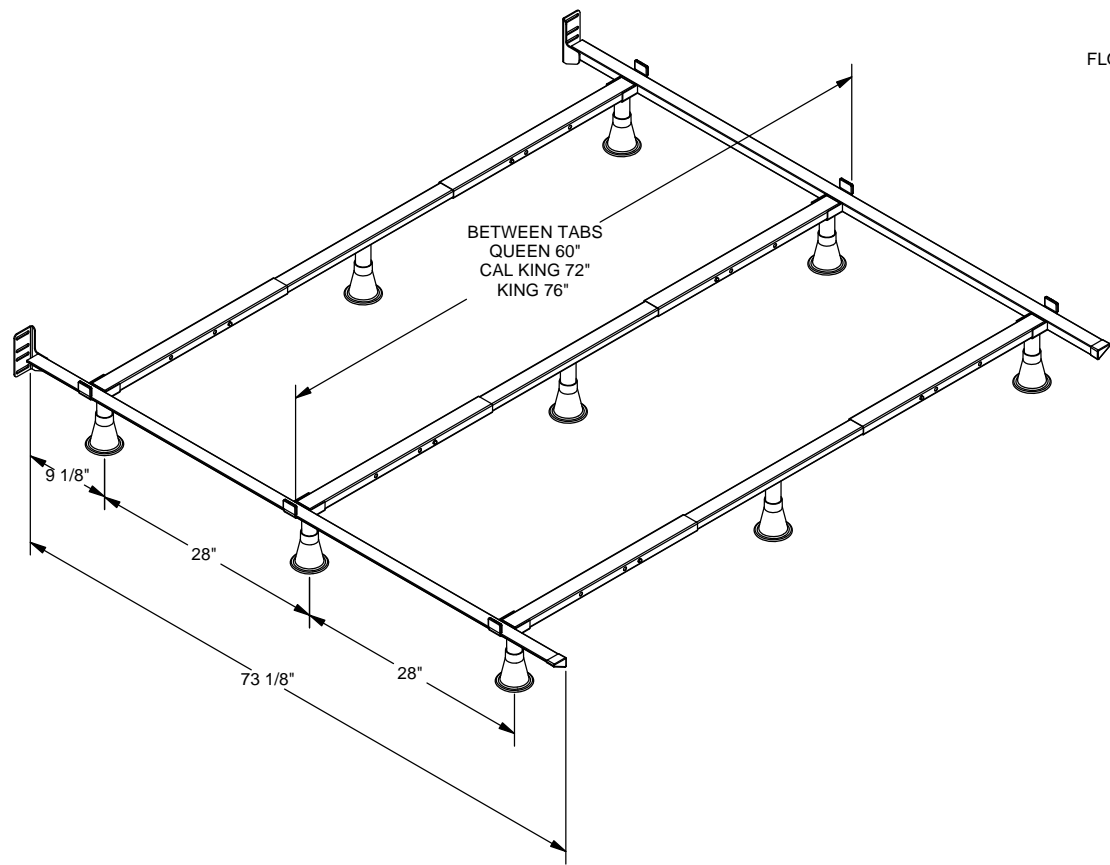
REMARKS:

ALL FASTENERS PER ANSI B18 AND SAE J429 STANDARDS		
ALL WELDS PER ANSI/AWS A2.4-79 AMERICAN NATIONAL STANDARD		
DIMENSIONS ARE INCHES UNLESS OTHERWISE NOTED		
TOLERANCE UNLESS OTHERWISE NOTED		
DECIMAL:	FRACTIONAL:	ANGULAR:
.XXX = ±.015 .XX = ±.03 .X = ±.06	± 1/32	± 1°
PROPRIETARY AND CONFIDENTIAL		
THE INFORMATION CONTAINED IN THIS DRAWING IS THE SOLE PROPERTY OF LEGGETT & PLATT, INC. ANY REPRODUCTION IN PART OR AS A WHOLE WITHOUT THE WRITTEN PERMISSION OF LEGGETT & PLATT, INC. IS PROHIBITED.		

A	DESCRIPTION OF CHANGE	SDS	RAB	10814	12-20-11
REV. LEVEL		AUTHOR	CHKD	EDR#	DATE
RELEASED.					
APPROVALS	NAME	DATE	 P56 Q/K PRESTIGE BED FRAME		
DRAWN	RAB	08-23-11			
ENGINEERING	SDS	11-01-11			
TOOLING	NLT	1-05-12			
MFG APPR.	KPC	1-10-12			
Q.A.	ECL	1-04-12	DESTROY ALL PRINTS ISSUED PRIOR TO THIS REVISION		
THIS PRINT SUPERSEDES ALL PREVIOUS PRINTS		SIZE	DWG. NO.	426204	
		SCALE:1:16	DO NOT SCALE DRAWING	SHEET 1 OF 4	



DETAIL A
SCALE 1 : 5



ALL FASTENERS PER
ANSI B18 AND SAE J429 STANDARDS

ALL WELDS PER ANSIAIWS A2.4-79
AMERICAN NATIONAL STANDARDS

DIMENSIONS ARE INCHES
UNLESS OTHERWISE NOTED.

TOLERANCE UNLESS OTHERWISE NOTED:

DECIMAL:	FRACTIONAL:	ANGULAR:
.XXX = ±.015	± 1/32	± 1°
.XX = ±.03		
.X = ±.06		

PROPRIETARY AND CONFIDENTIAL

THE INFORMATION CONTAINED IN THIS
DRAWING IS THE SOLE PROPERTY OF
LEGGETT & PLATT, INC. ANY
REPRODUCTION IN PART OR AS A WHOLE
WITHOUT THE WRITTEN PERMISSION OF
LEGGETT & PLATT, INC. IS
PROHIBITED.

A	DESCRIPTION OF CHANGE	SDS	RAB	10814	12-20-11
REV. LEVEL	AUTHOR	CHKD	EDR#	DATE	

RELEASED.

APPROVALS	NAME	DATE	
DRAWN	RAB	08-23-11	
ENGINEERING	SDS	11-01-11	
TOOLING	NLT	1-05-12	
MFG APPR.	KPC	1-10-12	
	Q.A.	ECL	1-04-12



**P56 Q/K PRESTIGE
BED FRAME**

SIZE DWG. NO. **426204**

SCALE: 1:12 DO NOT SCALE DRAWING SHEET 3 OF 4