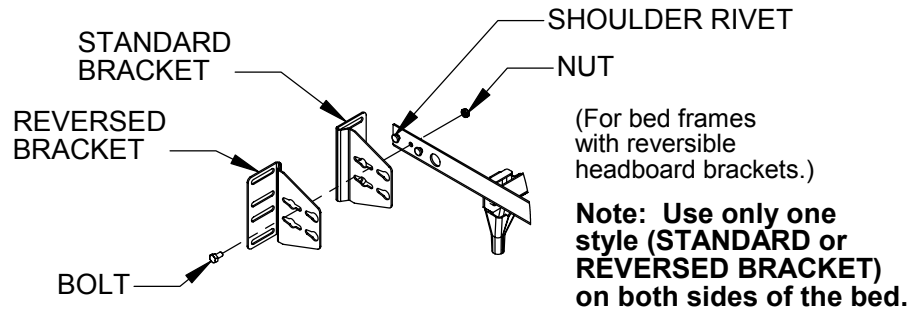


# H2034 ASSEMBLY INSTRUCTIONS

**Figure 1**

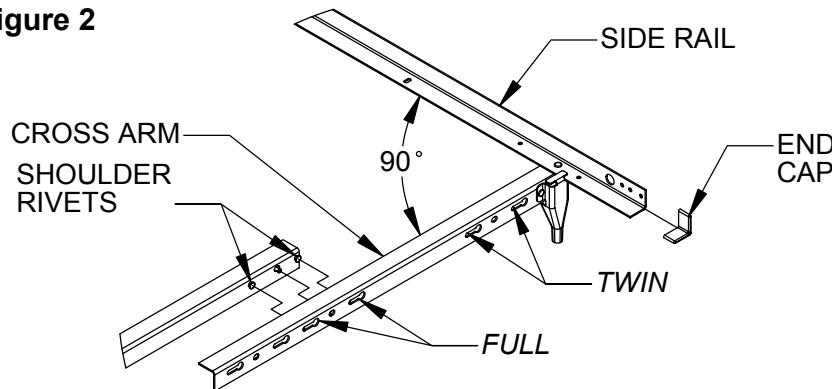


**Step 1** For bed frames with reversible headboard brackets only: Mount **HEADBOARD BRACKETS** to **SHOULDER RIVETS** at end of side rails. Secure tightly with **NUT** and short **BOLT**. Bracket may be reversed to accommodate wide headboards. See Figure 1.

**Step 2** Slide **END CAPS** onto side rails. Swing out **CROSS ARMS** to 90 degrees. See Figure 2.

**WARNING: End caps must be placed over sharp corners of side rails to avoid serious injury.**

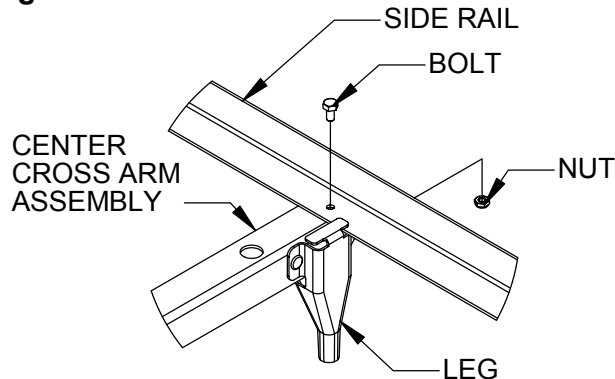
**Figure 2**



**Step 3** Determine the desired bed size (Twin or Full). Overlap **CROSS ARMS** and position **SHOULDER RIVETS** into proper keyholes as shown in Figure 2. Pull **CROSS ARMS** apart to lock in position. **Note: Both rivet heads must engage in keyhole slots.**

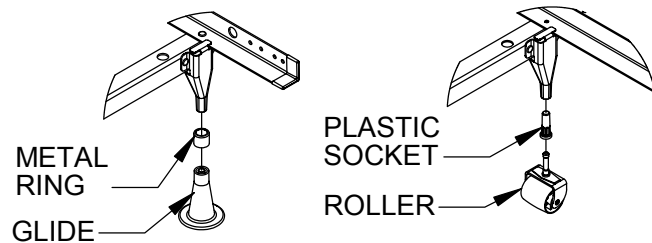
**Step 4** Assemble **CENTER CROSS ARMS** as directed in Step 3. Slide **CENTER CROSS ARM ASSEMBLY** in position so that cross arm holes line up with holes in **SIDE RAIL** and tabs of **LEGS** fit over **SIDE RAILS**. Attach with **NUTS** and **BOLTS** as shown in Figure 3.

**Figure 3**

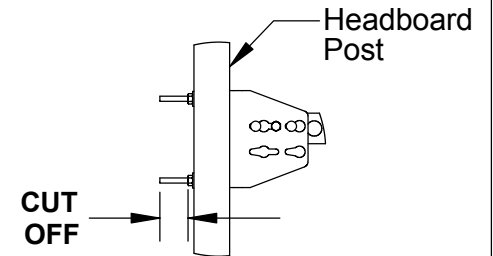


**Step 5** Install foot attachments as shown in Figure 4. **METAL RINGS** should be used on corner **GLIDES**. It may be necessary to tap **PLASTIC SOCKETS** into place.

**Figure 4**



**WARNING: When attaching this frame to a headboard with narrow posts, it is recommended that any excess bolt be cut off after attachment. See figure below.**



**WARNING: ROLLERS MUST NOT BE USED WITH FLOTATION BEDDING.**

DATE 10-23-03	DWG. NO. <b>99300265</b>
DO NOT SCALE DRAWING SHEET 1 OF 2	