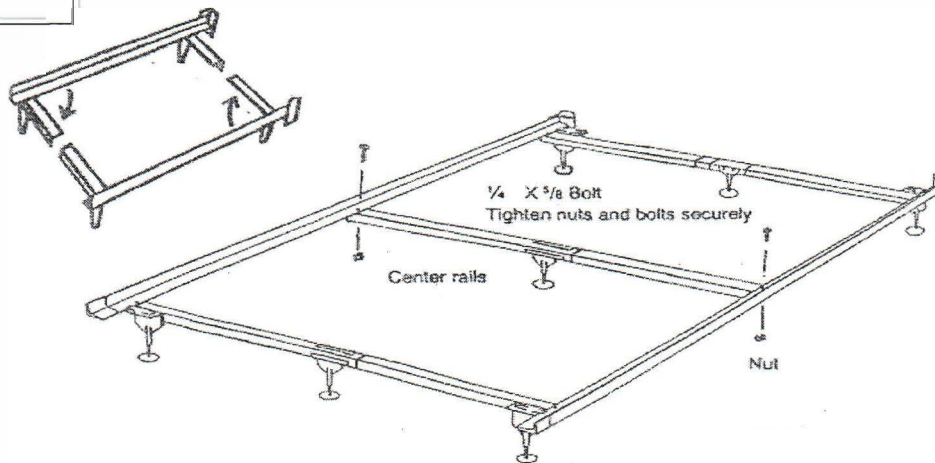


# ASSEMBLY INSTRUCTIONS – WATERBED SERIES

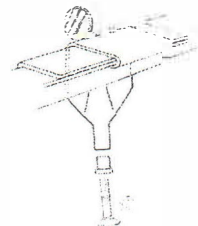
## 7L-315

### PARTS LIST FOR 7L-315:

7 GLIDES (3 threaded)  
4 STEEL INSERTS  
3 NYLON THREADED INSERTS  
2 ANGLE IRON CROSS RAILS  
1 BAG W/2 NUTS & 2 BOLTS  
2 PLASTIC "PROTEKAPS"  
3 CLAMPS  
3 THUMBSCREWS



1. Insert sockets into legs. Note: Sockets may be steel, nylon threaded, or both. If you receive both types of inserts, insert only the threaded sockets into the legs attached to the clamps.
2. Swing out cross rails to 90°.
3. Attach the 2 angle iron cross rails at the holes in the middle of the side angles with the nuts and bolts over lapping them in the center.
4. Slip clamps on the cross rails, overlap center rails, slide clamp to where the angle iron overlaps, adjust width to size of box spring, and tighten clamp with thumbscrews.
5. Insert glides into sockets using the following instructions based on the frame purchased;



**7L-315** – The threaded glides are placed in the center clamp legs and stem glides in the 4 corner legs. Screw threaded glides in leaving approximately 1 1/2 " of glide showing. Press firmly on stem glides to be sure they are inserted all the way. Once stem glides are in, screw down the threaded glides to "level" frame. (Middle glides should be approximately 1/16" off the floor). Place plastic "protekaps" on ends of side rails. Attach to headboard.