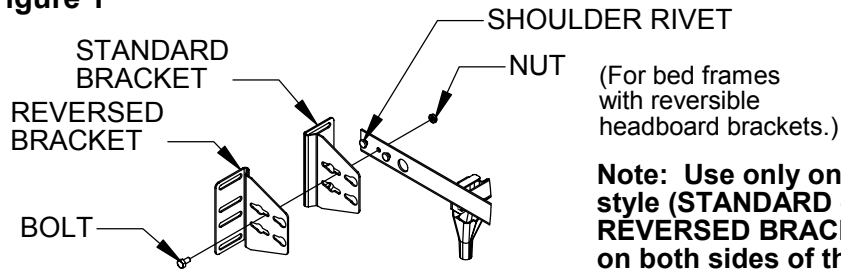


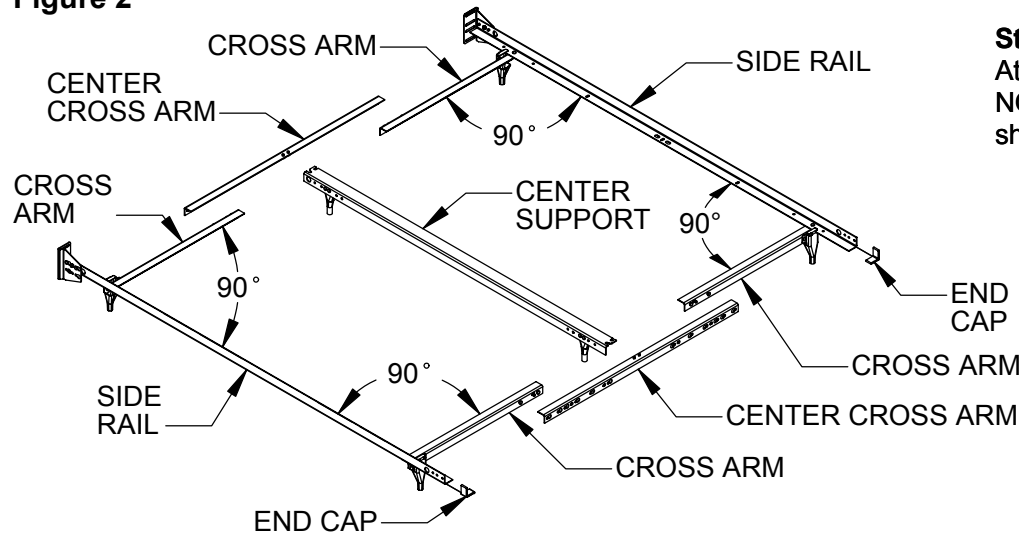
QUEEN/CAL KING/KING ASSEMBLY INSTRUCTIONS

Figure 1



Step 1 For bed frames with reversible headboard brackets only: Mount **HEADBOARD BRACKETS** to **SHOULDER RIVETS** at end of side rails. Secure tightly with **NUT** and short **BOLT**. Bracket may be reversed to accommodate wide headboards. See Figure 1.

Figure 2



Step 2 Slide **END CAPS** onto side rails. Swing out **CROSS ARMS** to 90 degrees. See Figure 2.
WARNING: **END CAPS MUST BE PLACED OVER END OF SIDE RAILS TO AVOID SERIOUS INJURY.**

Step 3 Turn **CENTER SUPPORT** over with legs pointing up. Attach **CENTER CROSS ARM** by inserting **RIVET "A"** into **NOTCH "A"** then pivot so **RIVET "B"** locks into **NOTCH "B"** as shown in Figure 3. Repeat with both **CENTER CROSS ARMS**.

Step 4 Determine desired bedding size (Queen, Cal. King, or King). Slide **SHOULDER RIVETS** into proper keyholes of **CENTER CROSS ARMS** as indicated in Figure 4.
Note: **Both rivet heads must engage in keyhole slots.**

Step 5 Install foot attachments as shown in Figure 5. It may be necessary to tap **PLASTIC SOCKETS** into place. Locking rollers, if provided, should be installed on the corner legs at the foot of the bed.

SEE OPPOSITE PAGE FOR WARNING NOTE.

Figure 3

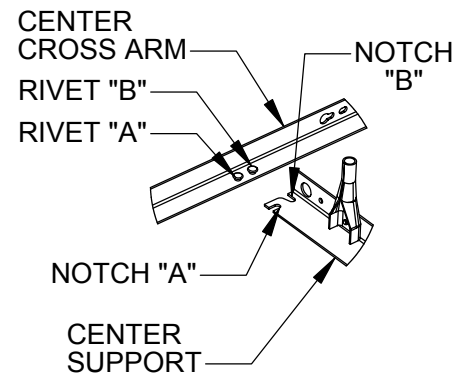


Figure 4

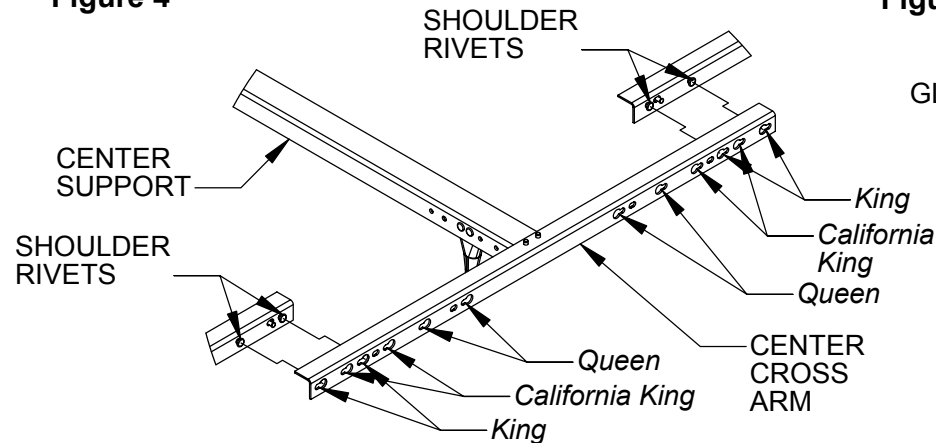
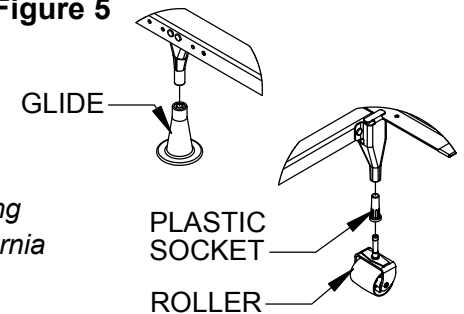


Figure 5



<i>Leggett & Platt</i> INCORPORATED	
DATE 09-26-03	DWG. NO. 99300574
DO NOT SCALE DRAWING	SHEET 2 OF 2