

# AK-ADJUSTAMATIC FOOTBOARD ADAPTOR KIT INSTRUCTION SHEET

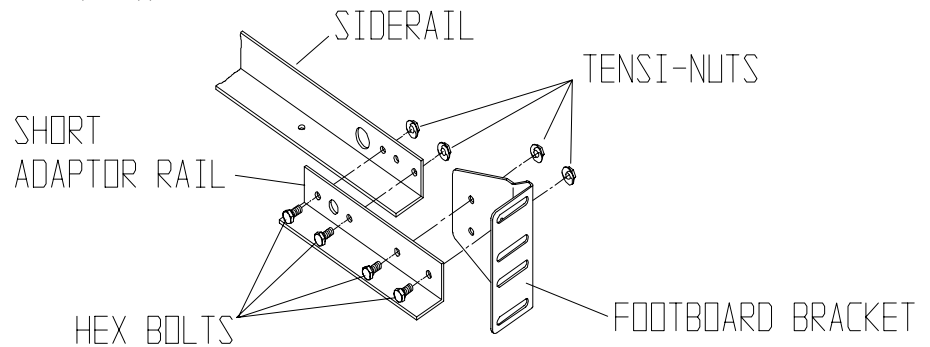
## TWIN/FULL BEDDING:

Using hex bolts and tensi-nuts, attach short adaptor rail to siderail and attach footboard bracket to adaptor rail as shown in View 1. Tighten tensi-nuts. Repeat on opposite side.

This kit includes:

2- Short Adaptor Rails  
2- Long Adaptor Rails  
2- Footboard Brackets  
8- Hex Bolts  
8- Tensi-Nuts

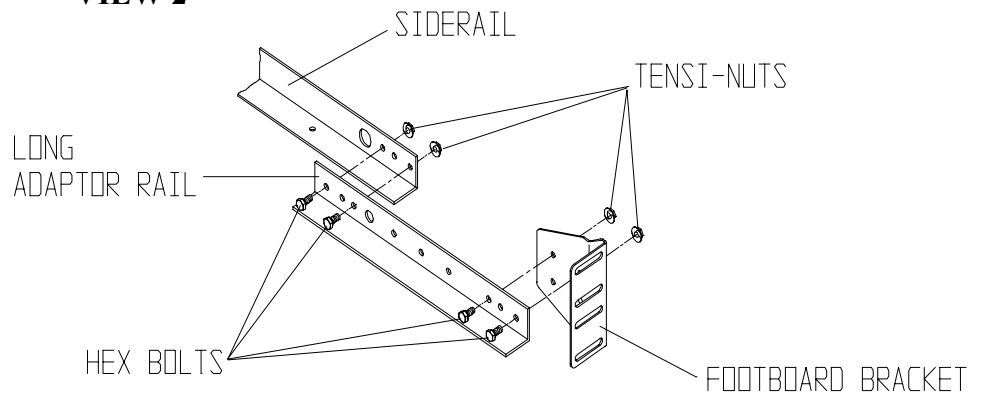
### VIEW 1



## QUEEN/KING BEDDING:

Using hex bolts and tensi-nuts, attach long adaptor rail to siderail and attach footboard bracket to adaptor rail as shown in View 2. Tighten tensi-nuts. Repeat on opposite side.

### VIEW 2



**Leggett & Platt, Inc.**

P.O. Box 140 Linwood, N.C. 27299  
(336) 956-5000

P.N. 99300437

10-14-99